



## CSN® SCREW-IN HEATER

### VERSION WITH Ø 11,5 MM AND Ø 16 MM TUBULAR HEATERS

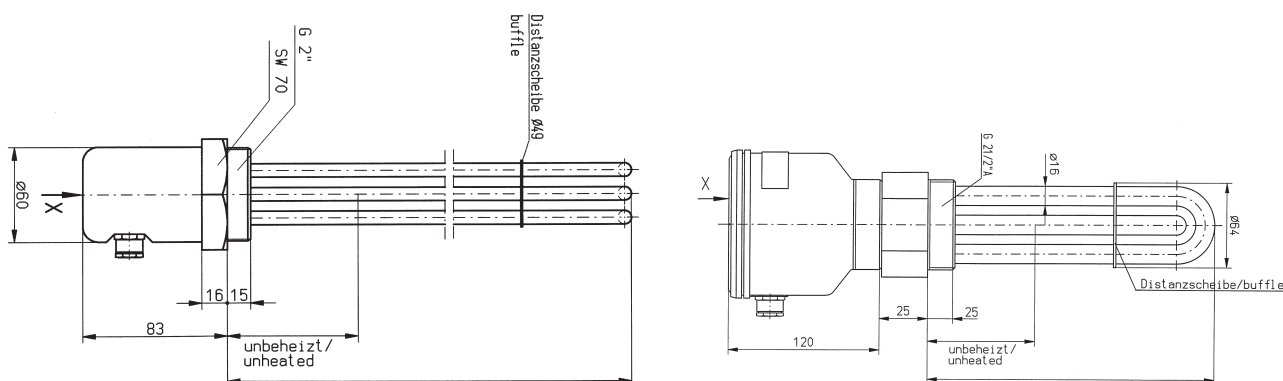
11,5 mm dia. threaded joint G 2" ERCH III/  
with 3 tubular heaters 16 mm dia. threaded joint G 2½" ERCH IV//

#### Application:

Heating of fluids or gases

#### Advantages:

Compared with conventional heaters reduced dimensions and the same ratings. Lower surface load compared with conventional heaters.



## WITH STAINLESS STEEL CASING

type	mounting-in length mm	voltage volts	capacity watts	surface load W/cm <sup>2</sup>	non-stock item
ERCH III / 20	200	400 3N~	2500	7,0	
ERCH III / 25	250	400 3N~	3000	6,4	
ERCH III / 35	350	400 3N~	4500	6,6	
ERCH III / 45	450	400 3N~	7500	8,3	
ERCH III / 65	650	400 3~	10000	7,5	
ERCH III / 80	800	400 3~	12000	7,2	
ERCH IV / 25	250	400 3N~	4000	6,6	
ERCH IV / 35	350	400 3N~	6000	6,6	
ERCH IV / 45	450	400 3N~	9000	7,5	
ERCH IV / 65	650	400 3~	13500	7,5	
ERCH IV / 80	800	400 3~	16000	7,1	